

# GRANVILLE MEDICINE CABINETS

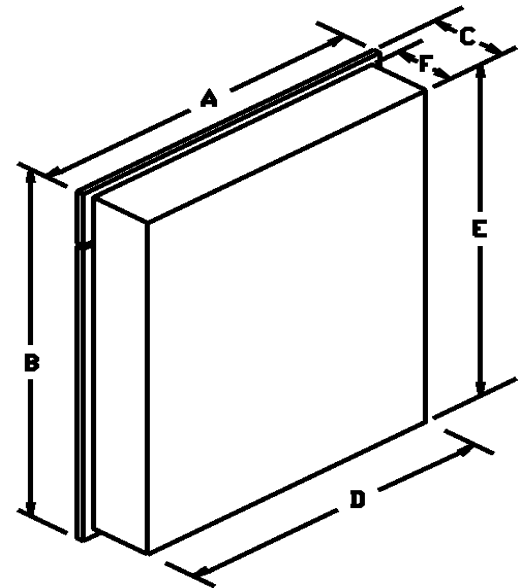


## FEATURES/TYPICAL SPECIFICATIONS

- Surface-Mounted Installation
- Solid Wood Frame with Miter Cut Corners
  - Solid Poplar for PT02 Finish
  - Solid Oak for OK01 Finish
- Housing/Body is Panel Style Construction (No Face- Frame)
- Particle Board Construction with PVC Laminate
- MDF Back Panel
- Dowel/Glue & Tongue & Groove Construction
- 3 Polished Edge Mirrors
- Fully Assembled for Quick Installation
- 2 Fixed Shelves
- Integral Mounting Bars with Pre-Drilled Mounting Holes
- Chrome Finish Glass Pivot Hinges (HG03)
- Includes Mounting Hardware
- Coordinated Magnet Finish
- Laminated Protective Mirror Backing
- CARB 93120 Phase 1 Compliant for Formaldehyde

**Available Finishes:**

- Classic White (PT02)
- Honey Oak Finishes (OK01)



Model Numbers			Dimensions In Inches					
NuTone	Broan	Finish	A	B	C	D	E	F
740589	740589B	PT02	24	24	4-3/4	22-1/2	22-1/4	4
740957	740957B	PT02	30	26	4-3/4	28-1/2	24	4
740605	740605B	PT02	36	30	4-3/4	34-1/4	28	4
740613		PT02	48	30	4-3/4	46-1/2	28	4
740621	740621B	OK01	24	24	4-3/4	22-1/2	22-1/4	4
740639	740639B	OK01	30	26	4-3/4	28-1/2	24	4
740647		OK01	36	30	4-3/4	34-1/4	28	4
740655		OK01	48	30	4-3/4	46-1/2	28	4

REFERENCE	QTY.	REMARKS	Project
			Location
			Architect
			Engineer
			Contractor
			Submitted by
			Date

\* All models and material specifications are subject to change or withdrawal without notice.